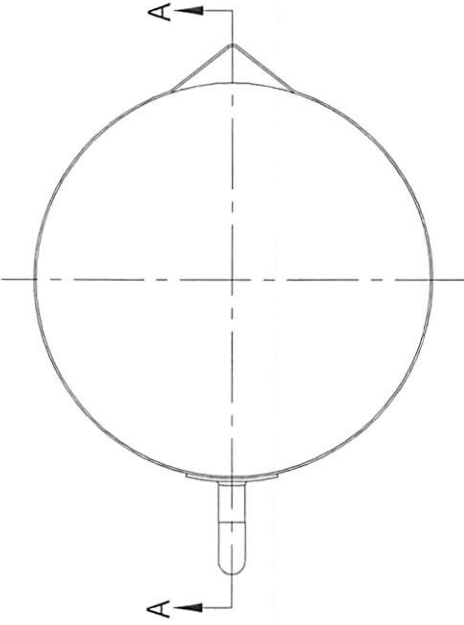


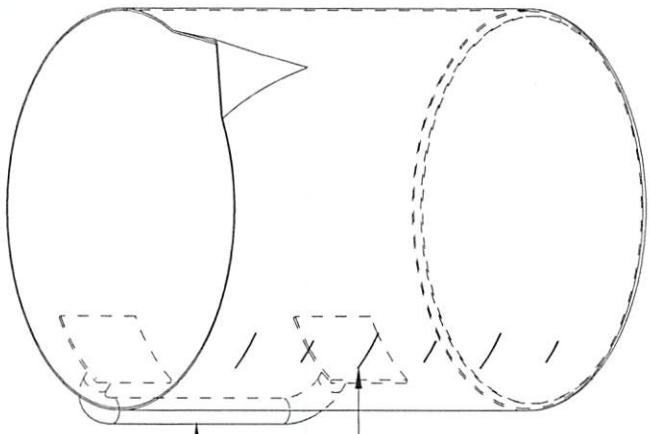
**CONFIDENTIAL**  
Property of  
Eagle Stainless Container

TOP VIEW

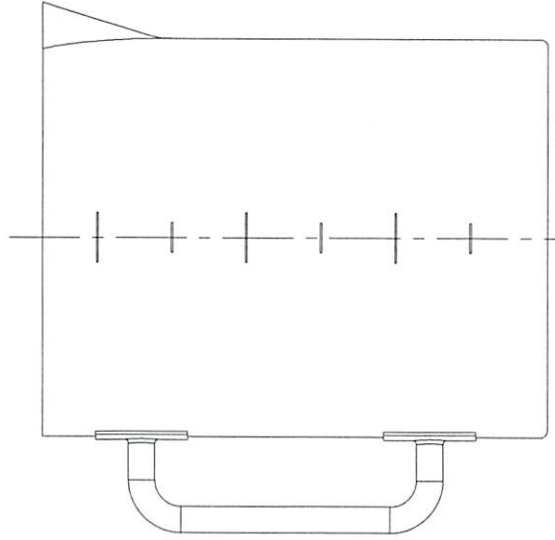


SOLID-BAR HANDLE

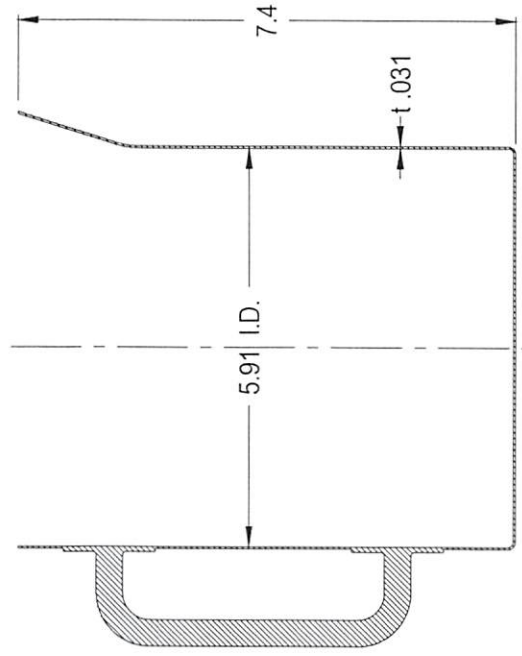
GRADUATIONS  
(EVERY 500 ml) (x 6)



FRONT VIEW



A-A SECTION VIEW



PROPERTY OF ESC. DO NOT DUPLICATE OR DISTRIBUTE.

TOLERANCES UNLESS OTHERWISE SPECIFIED	
THREE PLACE DECIMAL	+/- .010"
TWO PLACE DECIMAL	+/- .125"
ONE PLACE DECIMAL	+/- .250"
FRACTIONS	+/- 1/32"
ANGULARITY	+/- 1/2 DEG.
RADIUS	+/- .132" - .031"

DRAWN BY: BEN S. KWON DATE: 03/02/2020  
 (1) APPROVED BY: *Ben S. Kwon*  
 (2) APPROVED BY: *[Signature]*  
 NOTE: ALL DIMENSIONS ARE INCHES.  
 DO NOT SCALE.  
 APPROVED BY (CUSTOMER SIGNATURE):

DRAWING# : BKSMA3A-1-02A  
 MATERIAL : T-316L-SS T-304-SS (HANDLE)  
 CAPACITY : 3.0 L  
 FINISH : 10 Ra (ELECTROPOLISHED OPTIONAL)  
 MODEL # : BKSMA-3

Customer and/or Vendor agrees to keep confidential the contents of any documents and materials including but not limited to, Quotation(s), Invoice(s), Purchase Order(s), and Drawing(s) that Eagle Stainless provides to Customer and/or Vendor and acknowledges that they are trade secrets of Eagle Stainless. Customer and/or Vendor agrees to indemnify Eagle Stainless for all damages (including all attorneys' fees and costs incurred) in connection with any unauthorized use or disclosure of confidential information by any of Customer and/or Vendor's employees or agents.

**EAGLE**  
 STAINLESS  
 www.eaglestainless.com  
 816 NINA WAY  
 WARMINSTER PA 18974  
 TEL# : 215-957-9333  
 FAX# : 215-957-9330