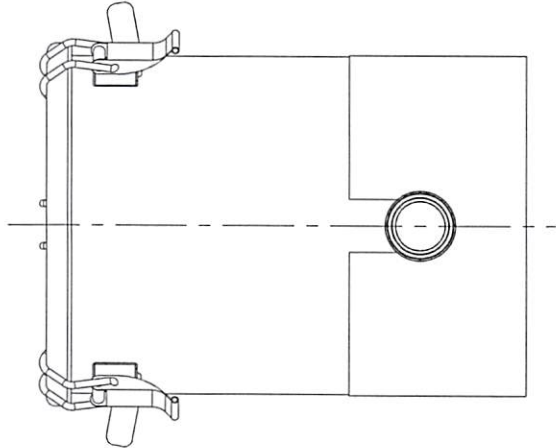
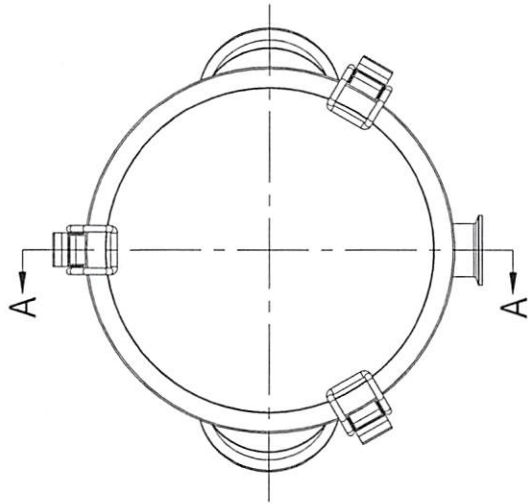


CONFIDENTIAL
Property of
Eagle Stainless Container

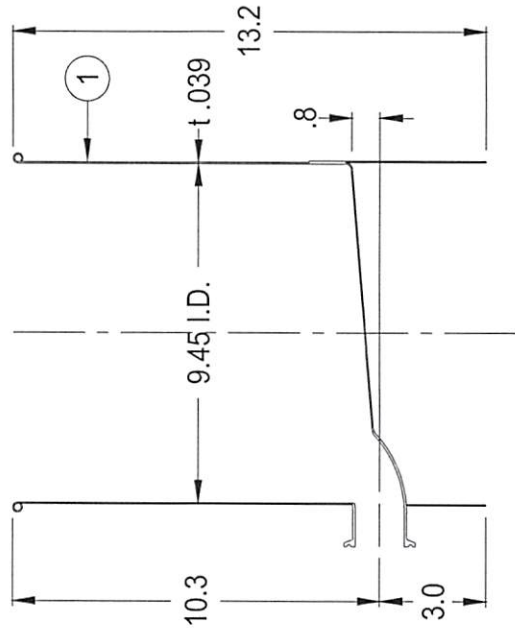
| # | Qty. | Description |
|---|------|---------------------------------|
| 1 | 1 | KTTCTH-24 CONTAINER (T-316L-SS) |
| 2 | 1 | CTH-24 GASKET |
| 3 | 1 | CTH-24 LID (T-316L-SS) |
| 4 | 3 | SPRING CLIPS (T-304-SS) |
| 5 | 2 | HOLLOW HANDLES (T-304-SS) |
| 6 | 1 | 1-1/2" TC FERRULE (T-316L-SS) |
| 7 | 1 | SKIRT (T-304-SS) |

* NOT TO BE USED WITH PRESSURE OR VACUUM
** TC = TRI CLAMP

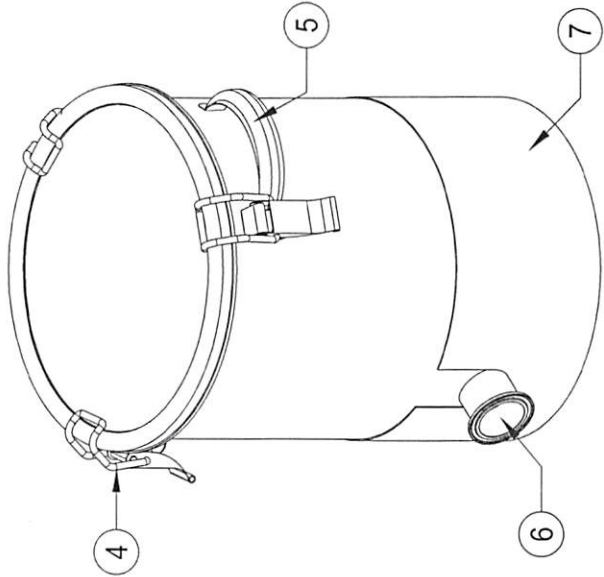
TOP VIEW



FRONT VIEW



A-A SECTION VIEW



| | | | | | |
|---|---|---|--|---|--|
| EAGLE STAINLESS www.eaglestainless.com | 816 NINA WAY WARMINSTER PA 18974 TEL#: 215-957-9333 FAX#: 215-957-9330 | Customer and/or Vendor agrees to keep confidential the contents of any documents and materials including but not limited to Quotation(s), Invoice(s), Purchase Order(s), and Drawing(s) that Eagle Stainless provides to Customer and/or Vendor and acknowledges that they are trade secrets of Eagle Stainless. Customer and/or Vendor agrees to indemnify Eagle Stainless for all damages (including all attorneys' fees and costs incurred) in connection with any unauthorized use or disclosure of such confidential information by any of Customer and/or Vendor's employees or agents. | DRAWING# : KTTCTH24A-1-01A MATERIAL : See Table on Drawing for Detail CAPACITY : 10.0L (ACTUAL CAPACITY : 11.0 L) FINISH : 10 Ra MODEL # : KTTCTH-24 | DATE : 09/28/2023 (2) APPROVED BY : | TOLERANCES UNLESS OTHERWISE SPECIFIED THREE PLACE DECIMAL +/- .010" TWO PLACE DECIMAL +/- .125" ONE PLACE DECIMAL +/- .250" FRACTIONS +/- .132" ANGULARITY +/- .12 deg. |
| | PROPERTY OF ESC. DO NOT DUPLICATE OR DISTRIBUTE. | | DO NOT SCALE. APPROVED BY (CUSTOMER SIGNATURE) : | DRAWN BY : BEN S. KWON (1) APPROVED BY : | NOTE : ALL DIMENSIONS ARE INCHES. |